

SWK

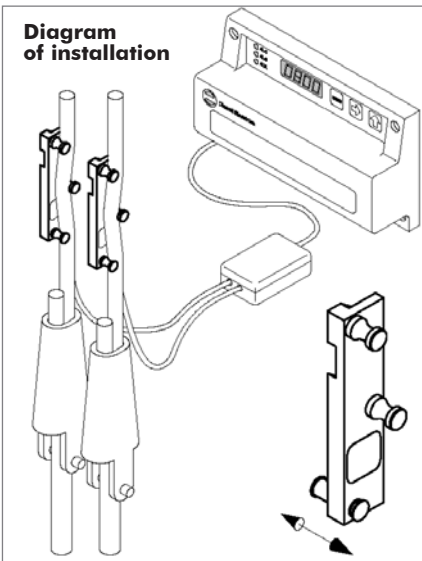



- Fast and easy mounting (standard or special tool).
- Their placement is suitable whatever the separation among the ropes. Ideal in those ropes with excessive separation.
- It doesn't produce frictions neither displacements along the ropes.
- Load & tension control in each one of the ropes in an independent way.
- For monitoring the force unequal tension among the cables.
- Avoids the wearing of the pulley.
- A miniaturized design.

SW Models (K-8,...K-16) Load's table depending on rope's diameter

Model sensor	Rope's diameter(mm) Load rope (kg)								
	ø8	ø9	ø10	ø11	ø12	ø13	ø14	ø15	ø16
SWK8	350 ⁽¹⁾	250 ⁽²⁾							
SWK9	500 ⁽²⁾	400 ⁽¹⁾	300 ⁽²⁾						
SWK10		550 ⁽²⁾	450 ⁽¹⁾	350 ⁽²⁾					
SWK11			650 ⁽²⁾	550 ⁽¹⁾	650 ⁽²⁾				
SWK12				750 ⁽²⁾	650 ⁽¹⁾	550 ⁽²⁾			
SWK13					900 ⁽²⁾	800 ⁽¹⁾	700 ⁽²⁾		
SWK14						1050 ⁽²⁾	950 ⁽¹⁾	850 ⁽²⁾	
SWK15							1200 ⁽²⁾	1100 ⁽¹⁾	1000 ⁽²⁾
SWK16								1350 ⁽²⁾	1250 ⁽¹⁾

Note: Total load = Load value (of table) x number of ropes.
 (1) Rope's diameter preferred. (2) Valid for other diameters.



CONNECTION	
Standard	Excitation +Red
	Excitation -Black
	Signal +Green
	Signal -White
USB	

Technical Characteristic

Sensibility	2 (mV/V)
Power supply	5..12V
Zero balance	<10% F.S.
Non-linearity	<0.15 % F.S.
Non-repeatability	<0.15 % F.S.
Hysteresis	<0.05 % F.S.
Combined error	<0.20 % F.S.
Insulation resistance...(V. Test =100V).	>5.000x10 ⁶ Ω
Maximum working load.	150 % F.S.
Load limit without lost of features.	200 % F.S.