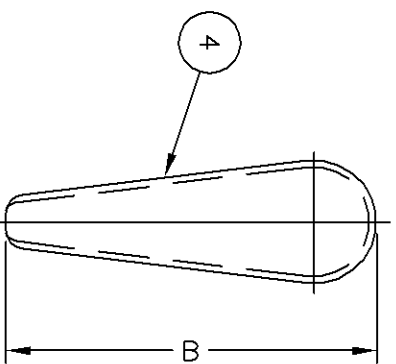
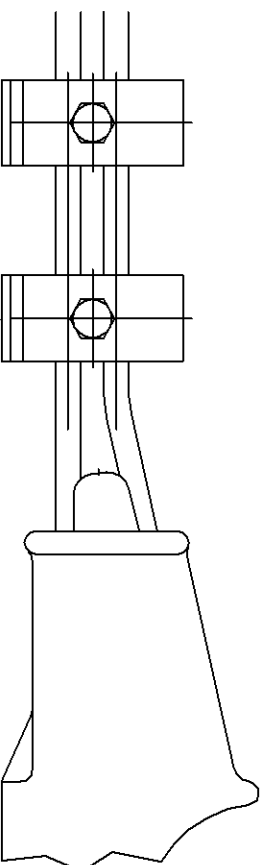


SOCKET AND ROD EXCEPT THREADS PAINTED BLACK

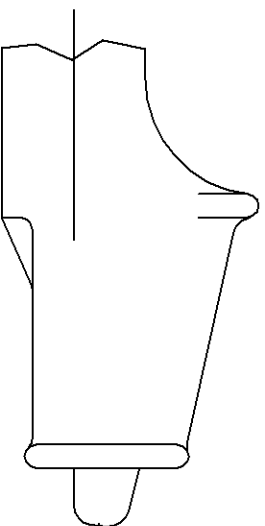
PER ASME A17.1 2000 SECTION 2.2  
WIRE ROPE WEDGE SOCKET ASSEMBLY



P/N: EM71  
WEDGE



EM103 WIRE ROPE RETAINING CLIPS  
(2) REQUIRED



REF	DESCRIPTION
1	SOCKET
2	ROD
3	ROLL PIN
4	WEDGE
5	NUT
6	COTTER PIN
7	WASHER
8	THREADS

This drawing is the property of ELEVATOR MOTORS CORPORATION  
Do not print, photograph, copy or use for any  
purpose other than that which it is specifically furnished



1/4"-5/16", 6-8mm EMCO-70  
WIRE ROPE WEDGE SOCKET ASSEMBLY

DWG. No.	EM70A
REV LTR	

DATE	PART	DESCRIPTION	B	L	D
23/MAY/05	EM71	1/4"-5/16 INCH, 6-8mm WEDGE INSERT	3.74	-	-
	EM70-12	WIRE ROPE WEDGE		16.9 INCH	12.0 INCH
	EM70-18	SOCKET		22.9 INCH	18.0 INCH
	EM70-24			28.9 INCH	24.0 INCH

R.S.P.	---	23/MAY/05	1" = 2"	1 of 1
DRAWN BY	CHECKED BY	DATE	SCALE	SHEET No.