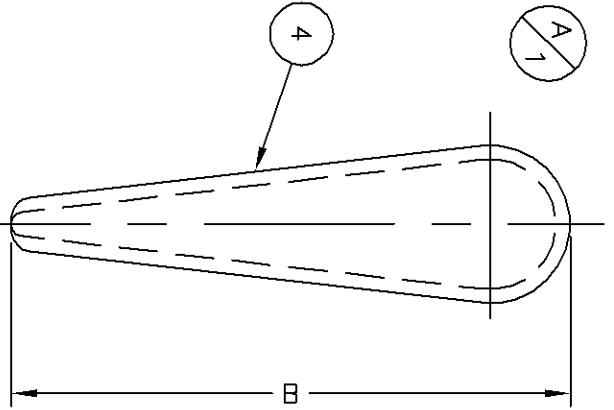
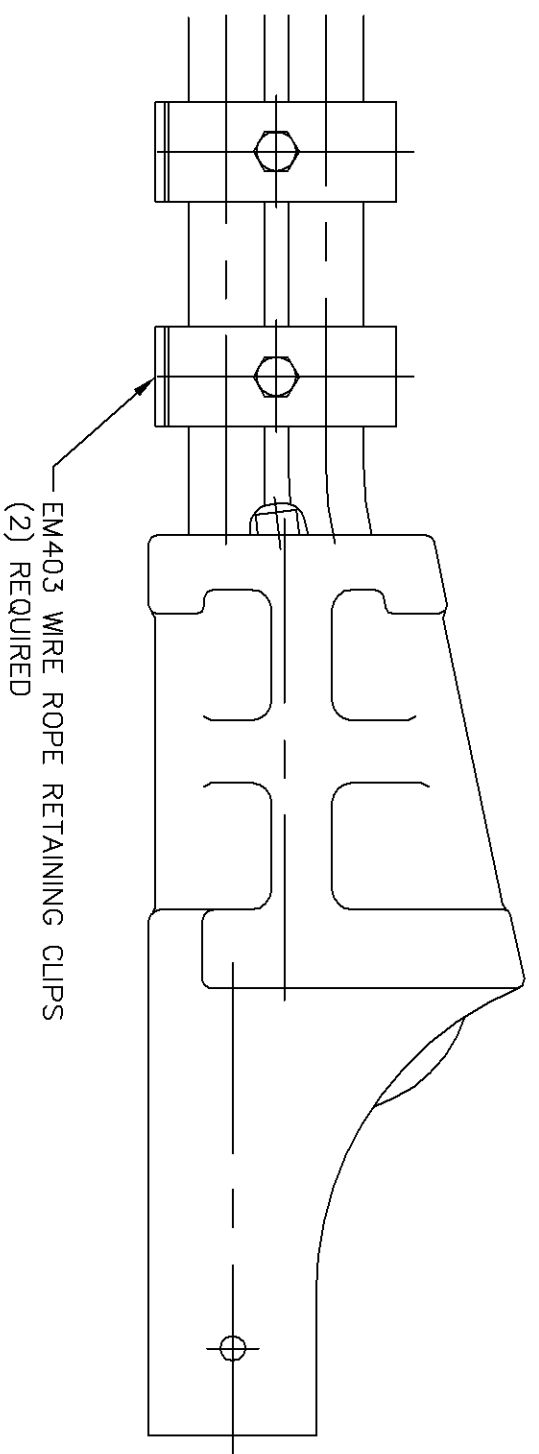


PER ASME A17.1 2000 SECTION 2.2
WIRE ROPE WEDGE SOCKET ASSEMBLY



DATE	PART	DESCRIPTION	B	L	D
09/JUN/01	EM401	11/16 INCH-19mm WEDGE INSERT	5.51	-	-
	EM400-12	WIRE ROPE WEDGE		19.5 INCH	12.0 INCH
	EM400-18	SOCKET		25.5 INCH	18.0 INCH
	EM400-24			31.5 INCH	24.0 INCH
	EM400-30			37.5 INCH	30.0 INCH
	EM400-36			43.5 INCH	36.0 INCH
	EM400-42			49.5 INCH	42.0 INCH
	EM400-24	WIRE ROPE WEDGE		31.5 INCH	24.0 INCH
	FL_THD	SOCKET			

No.	LTR	REVISION/DESCRIPTION	DATE	CHECKED BY
1	A	CHANGED: ADDED EM401 TO WEDGE	06/DEC/05	R.S.P.

REF	DESCRIPTION
1	SOCKET
2	ROD
3	ROLL PIN
4	WEDGE
5	NUT
6	COTTER PIN
7	WASHER
8	THREADS

This drawing is the property of ELEVATOR MOTORS CORPORATION
Do not print, photograph, copy or use for any
purpose other than that which it is specifically furnished



11/16"-3/4"-17.5mm-19mm EMCO-400
WIRE ROPE WEDGE SOCKET ASSEMBLY

R.S.P.	08/AUG/01	1" = 2"	1 of 1
DWG. No.	EM400A-1		A