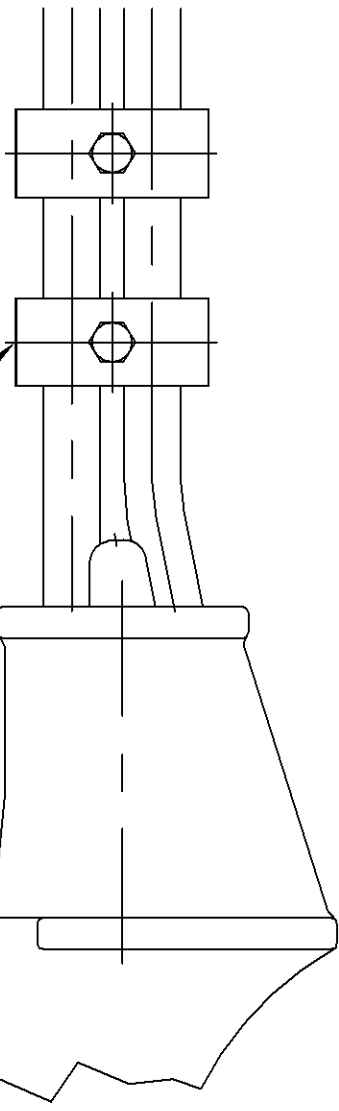
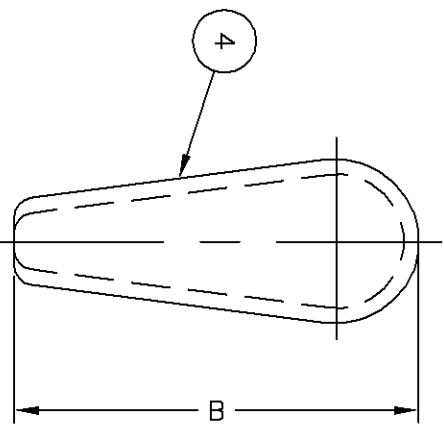
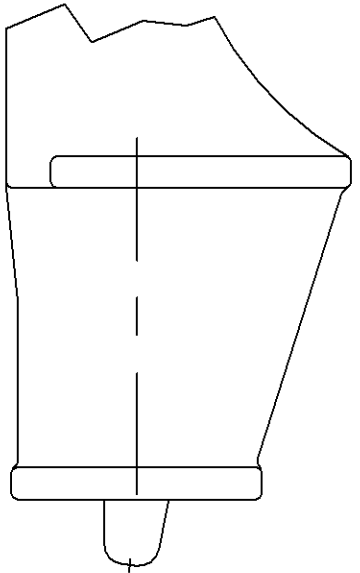


SOCKET AND ROD EXCEPT THREADS PAINTED BLACK

PER ASME A17.1 2000 SECTION 2.2  
WIRE ROPE WEDGE SOCKET ASSEMBLY



EM203 WIRE ROPE RETAINING CLIPS  
(2) REQUIRED



P/N'S: EM201A & EM202  
WEDGE INSERT

DATE	PART	DESCRIPTION	B	L	D
05/MAY/01	EM201A	1/2 INCH-13mm WEDGE INSERT	4	-	-
	EM202	5/8 INCH-16mm WEDGE INSERT	4.7	-	-
	EM200-12	WIRE ROPE WEDGE SOCKET		18.25 INCH	12.0 INCH
	EM200-18	WIRE ROPE WEDGE SOCKET		24.25 INCH	18.0 INCH
	EM200-24	WIRE ROPE WEDGE SOCKET		30.25 INCH	24.0 INCH
	EM200-30	WIRE ROPE WEDGE SOCKET		36.25 INCH	30.0 INCH
	EM200-36	WIRE ROPE WEDGE SOCKET		42.25 INCH	36.0 INCH
	EM200-42	WIRE ROPE WEDGE SOCKET		48.25 INCH	42.0 INCH
	EM200-24	FL THD SOCKET		30.25 INCH	24.0 INCH

No.	LTR	REVISION/DESCRIPTION	DATE	CHECKED BY
1	A	ADDED: * TO WEDGE	13/DEC/05	R.S.P.

REF	DESCRIPTION
1	SOCKET
2	ROD
3	ROLL PIN
4	WEDGE
5	NUT
6	COTTER PIN
7	WASHER
8	THREADS

This drawing is the property of ELEVATOR MOTORS CORPORATION  
Do not print, photograph, copy or use for any purpose other than that which it is specifically furnished



7/16" - 1/2" - 9/16" - 5/8", 11mm - 16mm  
EMCO-200 WIRE ROPE WEDGE SOCKET ASSEMBLY

R.S.P.	---	07/AUG/01	1" = 2"	1 of 1
DWG. No.	EM200A-1	DATE	SCALE	SHEET No.
				A