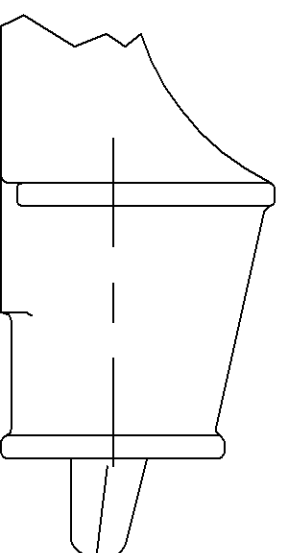
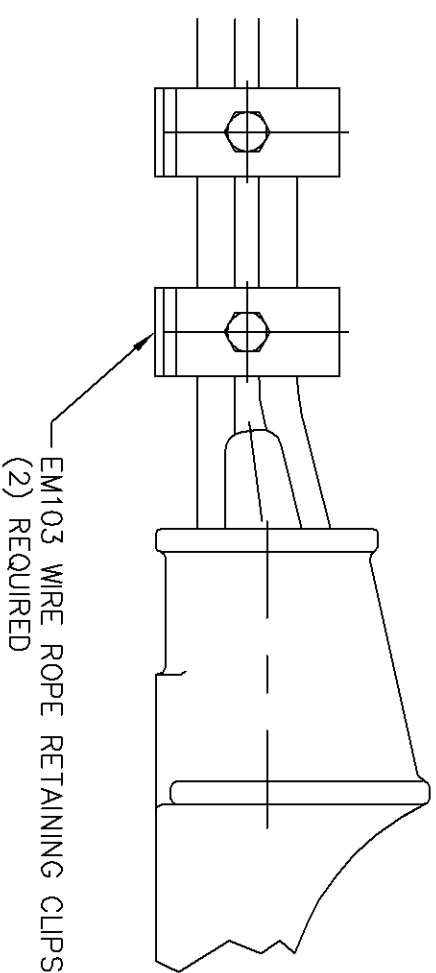
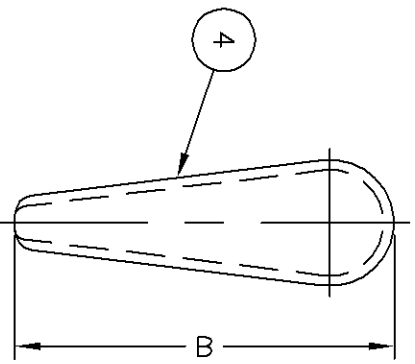


PER ASME A17.1 2000 SECTION 2.2
WIRE ROPE WEDGE SOCKET ASSEMBLY

P/N: EM101
WEDGE



REF	DESCRIPTION
1	SOCKET
2	ROD
3	ROLL PIN
4	WEDGE
5	NUT
6	COTTER PIN
7	WASHER
8	THREADS

This drawing is the property of ELEVATOR MOTORS CORPORATION
Do not print, photograph, copy or use for any
purpose other than that which it is specifically furnished



3/8"-10mm EMCO-100
WIRE ROPE WEDGE SOCKET ASSEMBLY

DRWN BY	R.S.P.	CHECKED BY	07/AUG/01	DATE	1" = 2"	SHEET No.	1 of 1
DWG. No.	EM100A-1	REV LTR	A				

No.	LTR	REVISION/DESCRIPTION	DATE	CHECKED BY
1	A	CHANGED: EM101 TO WEDGE	07/DEC/05	R.S.P.

DATE	PART	DESCRIPTION	B	L	D
05/MAY/01	EM101	3/8 INCH-10mm WEDGE INSERT	3.74	-	-
	EM100-12	WIRE ROPE WEDGE		17.0 INCH	12.0 INCH
	EM100-18	SOCKET		23.0 INCH	18.0 INCH
	EM100-24			29.0 INCH	24.0 INCH